

OakGate EPIC-10C1

10-Slot PCI Express®/NVMe™ SSD Tester



Key Features

Wide temperature range

- +10° C to +90° C

Supports up to 10 edge card type SSDs

- SFF (Single Port / Dual Port) & M.2 supported with attachments

Comprehensive functionality

- Long-run testing
- Aging test
- High temperature testing
- Marginal voltage testing

High-performance R/W access on thermal and marginal voltage test

Discharge circuit can shorten voltage turn-off time and stabilize power cycle test

No PCIe bridge chip used, resulting in stable software performance

Test engine mounted outside, not affected by chamber temperature

Stable, high-speed serial communication from PC to the device

Adjustable airflow ranging from 500 to 1500 LFM to each SSD

- Various air speeds can be adjusted to accommodate end-user's requirements

Worldwide multi-voltage power supply (AC100 to 230 V)

Intuitive GUI

OakGate is partnered with Daichu Technologies to provide a broad series of versatile and high-performance turnkey testers that enable customers to exercise the power of the OakGate software in reliability and manufacturing environments for NVMe, SAS, and SATA SSDs. These Epic Testers are powered by OakGate's Greenlight Manufacturing Test Application and Storage Validation Framework (SVF) software, the storage industry's most advanced testing software.

The OakGate EPIC-10C1 is a fully integrated tester with a built-in thermal chamber designed for the comprehensive testing of up to 10 edge card type SSDs simultaneously. By generating a temperature range of +10°C to +90°C, and by providing an adjustable airflow of 500-1500 LFM to each SSD, this chamber is capable of simulating a broad range of environmental conditions.

The EPIC-10C1 unit is controlled by Teledyne LeCroy's OakGate SVF software, which interfaces to OakGate appliances, as well as to several popular SSD production testers, such as the OakGate Epic Testers.

Teledyne LeCroy's OakGate SVF software offers a comprehensive list of features that enable users to:

- Generate traffic and inject errors
- Measure performance (IOPS, Bandwidth, Latency)
- Control power and temperature
- Execute customized test sequences, record logs
- Test devices at full-performance
- Exercise built-in protocol conformance test suite and analyzer

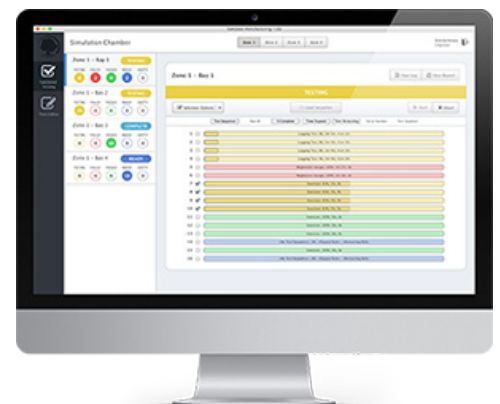
Robust GUI

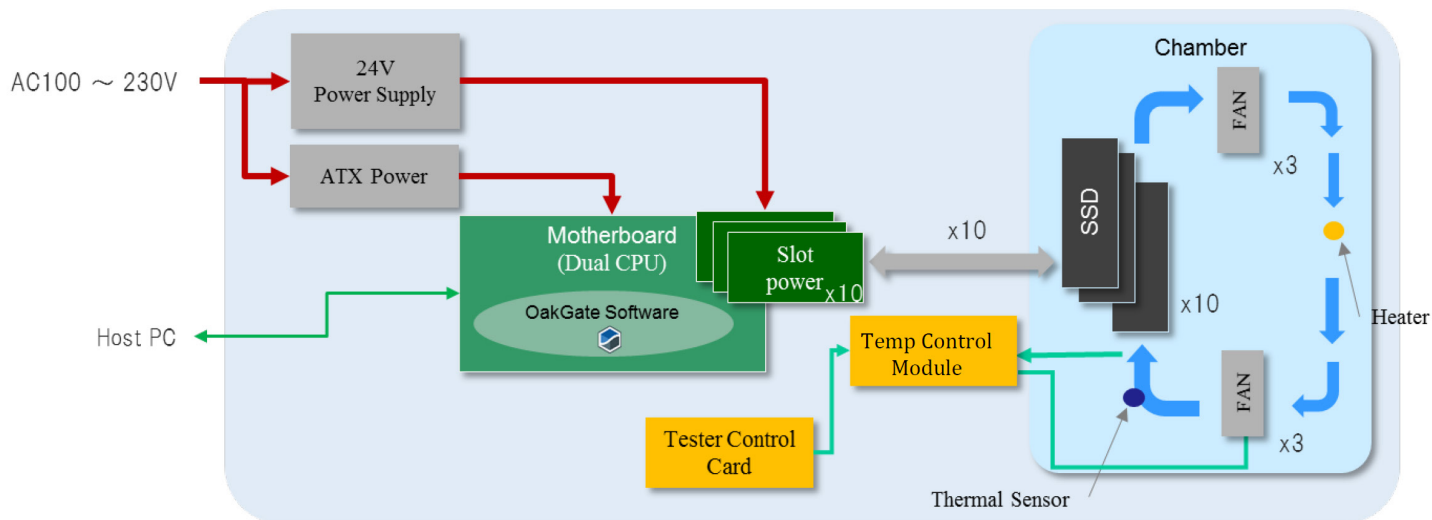
Greenlight is the advanced manufacturing test software that brings the power of the OakGate test platform to the world of manufacturing through an innovative, efficient, powerful, and easy-to-use test application for storage devices under test

(DUTs), such as solid state drives (SSDs). Greenlight runs on top of OakGate's Storage Validation Framework (SVF) engine, the most advanced storage testing software, allowing the DUTs to be fully evaluated and verified. The SVF interfaces to OakGate appliances, as well as to several popular SSD production testers, such as the OakGate Epic Testers.

Designed from the beginning to be simple to use, yet advanced in its capabilities – the user interface is ideal for the production floor, as well as for development and field failure analysis.

- User interface designed for ease of use
- Optimized views for operators and engineers
- Test-board-centric views, where the interface directly reflects the physical test board layout, helping operators maintain accuracy when populating, testing and removing good/failed boards from the system





Specifications

Supported SSD Specifications	Form Factor: AIC (HHHL/HHFL) IF Spec: PCIe 3.0 x8 lane Number of Slots: 10 Device Power Supply: 50W / slot (total 500W)
Chamber Specifications	Set Temperature: Room Temp.+10 to +90° C Airflow (Blow speed): Approx. 500 to 1500 LFM (Adjustable) Door Lock: Locked more than 45° C
SSD Power Supply	3.3V: 2.5A (Typ.) 3.0A (Peak) 12V: 4.0A (Typ.) 5.0A (Peak) Voltage Margin: ±15% Voltage Slope: 1 to 120msec: Setting adjustable for either 3.3V/12V Discharge Time: Free or less than 100msec (SSD Capacity < 500uF)
Test Engine	Software: Supported by OakGate (SVF) Motherboard: Dual CPU ATX (XEON E5) PCIe Slots: Gen3.0 x8 lane 10 slots
Other Functions	LED Indicator: Power status (Power, SSD insertion); Test status (Idle, Run, Pass, Fail) Host PC IF: Ethernet (RJ45)
Option	SFF: SFF(8639) : Single Port attachment; Dual Port attachment M.2: M.2 attachment Base Box: Base Box (with Storage case)
Input Requirements	AC voltage(Hz) / Current: AC 100 ~230V (50/60Hz) / Max 15A
Mechanical	Dimensions: 500mm (W) x 690mm (D) x 1,315mm (H) Dimensions with Base Box: 500mm (W) x 690mm (D) x 1,575mm (H) Weight: Approx. 150kg

* Environmental Temperature : 22-28°C

Ordering Information

Product Description

Epic 10-Slot PCIe/NVMe SSD Tester Room +10 to +90°C

Product Code

OGT-EPIC-10C1



Local sales offices are located throughout the world.
Visit our website to find the most convenient location.

1-800-5-LeCroy • teledynelecroy.com



TELEDYNE LECROY
Everywhereyoulook™