



# OakGate EPIC-56C4

## 56-Slot PCI Express®/NVMe™ SSD Gen4 Tester

### Key Features

#### Wide temperature range

- -40° C to +85° C

#### Supports up to 56 edge card type SSDs

- U.2 (Single Port / Dual Port) & M.2 supported with attachments (optional)

#### Comprehensive functionality

- Long-run testing
- Aging test
- Low and high temperature testing
- Marginal voltage testing

#### High-performance R/W access on thermal and marginal voltage test

#### No PCIe bridge chip used, resulting in stable software performance

#### Test engine mounted outside, not affected by chamber temperature

#### Stable, high-speed serial communication from PC to the device

#### Adjustable airflow ranging from 700 to 1500 LFM to each SSD

- Various air speeds available. Air speed can be adjusted to accommodate end-user's requirements

#### Intuitive GUI

**OakGate is partnered with Daichu Technologies to provide a broad series of versatile and high-performance turnkey testers that enable customers to exercise the power of the OakGate software in reliability and manufacturing environments for NVMe, SAS, and SATA SSDs. These Epic Testers are powered by OakGate's Greenlight Manufacturing Test Application and Storage Validation Framework (SVF) software, the storage industry's most advanced testing software.**

The OakGate EPIC-56C4 is a fully integrated tester with a built-in thermal chamber designed for the comprehensive testing of up to 56 edge card type SSDs simultaneously. By generating an industry-leading temperature range of -40°C to +85°C, and by providing an adjustable airflow of 700-1500 LFM to each SSD, this chamber is capable of simulating a broad range of environmental conditions.

The EPIC-56C4 unit is controlled by Teledyne LeCroy's OakGate SVF software, which interfaces to OakGate appliances, as well as to several popular SSD production testers, such as the OakGate Epic Testers.

Teledyne LeCroy's OakGate SVF software offers a comprehensive list of features that enable users to:

- Generate traffic and inject errors
- Measure performance (IOPS, Bandwidth, Latency)
- Control power and temperature
- Execute customized test sequences, record logs
- Test devices at full-performance
- Exercise built-in protocol conformance test suite and analyzer

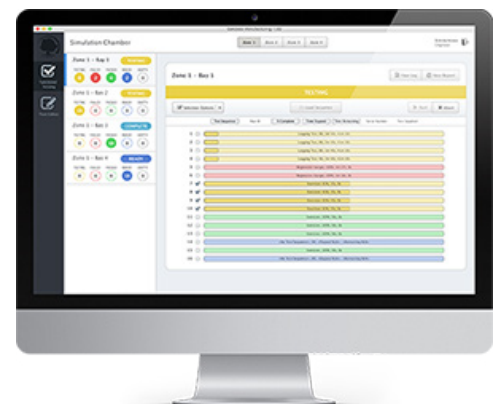
### Robust GUI

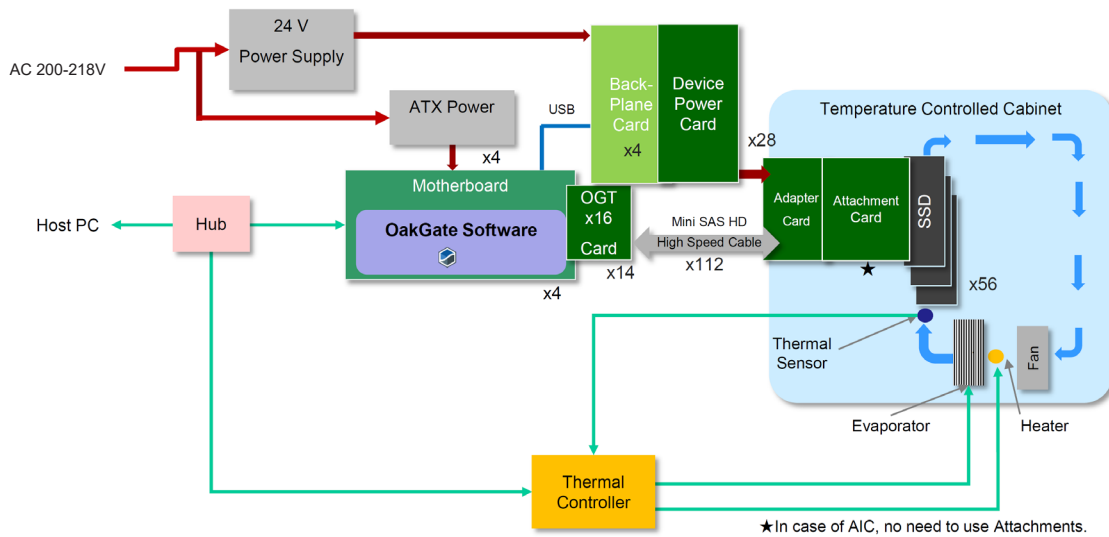
Greenlight is the advanced manufacturing test software that brings the power of the OakGate test platform to the world of manufacturing through an innovative, efficient, powerful, and easy-to-use test

application for storage devices under test (DUTs), such as solid state drives (SSDs). Greenlight runs on top of OakGate's Storage Validation Framework (SVF) engine, the most advanced storage testing software, allowing the DUTs to be fully evaluated and verified. The SVF interfaces to OakGate appliances, as well as to several popular SSD production testers, such as the OakGate Epic Testers.

Designed from the beginning to be simple to use, yet advanced in its capabilities – the user interface is ideal for the production floor, as well as for development and field failure analysis.

- User interface designed for ease of use
- Optimized views for operators and engineers
- Test-board-centric views, where the interface directly reflects the physical test board layout, helping operators maintain accuracy when populating, testing and removing good/failed boards from the system





## Specifications

|                              |  |
|------------------------------|--|
| Supported SSD Specifications | Form Factor: AIC / M.2 / U.2 / U.3 / EDSFF Short and Long<br>IF Spec: PCIe 4.0 x4 lane<br>Number of Slots: 56<br>Device Power Supply: Max. 30 W / Slot (Total 1,680 W)   |
| Chamber Specifications       | Set Temperature: -40 to +85° C (0 W ~ 25 W / Slot); -30 to +85° C (26 W ~ 30W / Slot)<br>Airflow (Blow speed): Approx. 700 ~ 1500 LFM (Adjustable)<br>Door Lock: Locks at Temperature 20° C or lower / at Temperature 45° C or higher  |
| SSD Power Supply             | 3.3V: 3.0A (Typ.) 3.3A (Peak/Max)<br>4.0A (Typ.) 5.0A (Peak/Max)<br>Voltage Margin: ±20%   |
| Test Engine                  | Software: Supported by OakGate (SVF)<br>Motherboard: E-ATX<br>PCIe Slots: Gen4.0 x4 lane 56 slots  |
| Other Functions              | Mother Board IF: Ethernet (RJ45)   |
| Option                       | U.2 Single Port (PCIe Gen4 x4 lane) Attachment x56 Slots; U.2 Dual Port (PCIe Gen4 x 2x2 lane) Attachment x56 Slots; U.3 (PCIe Gen4 x4 lane) Attachment x56 Slots; M.2 (PCIe Gen4 x4 lane) Attachment x56 Slots; EDSFF (PCIe Gen4 x4 lane) EDSFF Attachment x56 Slots and x28 Slots (Long) |
| Input Requirements           | AC voltage(Hz) / Current: AC 200V - AC 218V (50/60Hz) Three-Phase Three-wire / Max 75A<br>Dry Air: 6 m3/hrs. [0.5 to 1.0 MPa]  |
| Mechanical                   | Dimensions: Approx. 1,300 mm (W) x 1,450 mm (D) x 2,050 mm (H)<br>Weight: Approx. 1,100 kg   |

\* Environmental Temperature : 22-28°C

## Ordering Information

### Product Description

Epic 56-Slot PCIe/NVMe SSD Tester -40 to +85°C

### Product Code

OGT-EPIC-56C4



Local sales offices are located throughout the world.  
Visit our website to find the most convenient location.  
1-800-5-LeCroy • [teledynelecroy.com](http://teledynelecroy.com)

