

# OakGate EPIC-10C4 Gen4

## 10-Slot PCI Express®/NVMe™ SSD Tester



### Key Features

#### Wide temperature range

- -40° C to +85° C

#### Supports up to 10 edge card type SSDs

- U.2 (Single Port / Dual Port)
- U.3
- M.2
- EDSFF Long Type

#### Comprehensive functionality

- Long-run testing
- Aging test
- Low and high temperature testing
- Marginal voltage testing

#### High-performance R/W access on thermal and marginal voltage test

#### Discharge circuit can shorten voltage turn-off time and stabilize power cycle test

#### No PCIe bridge chip used, resulting in stable software performance

#### Test engine mounted outside, not affected by chamber temperature

#### Stable, high-speed serial communication from PC to the device

#### Adjustable airflow ranging from 700 to 1500 LFM to each SSD

- Various air speeds can be adjusted to accommodate end-user's requirements

#### Intuitive GUI

**OakGate is partnered with Daichu Technologies to provide a broad series of versatile and high-performance turnkey testers that enable customers to exercise the power of the OakGate software in reliability and manufacturing environments for NVMe, SAS, and SATA SSDs. These Epic Testers are powered by OakGate's Greenlight Manufacturing Test Application and Storage Validation Framework (SVF) software, the storage industry's most advanced testing software.**

The OakGate EPIC-10C4 Gen4 is a fully integrated tester with a built-in thermal chamber designed for the comprehensive testing of up to 10 edge card type SSDs simultaneously. By generating an industry-leading temperature range of -40°C to +85°C, and by providing an adjustable airflow of 700-1500 LFM to each SSD, this chamber is capable of simulating a broad range of environmental conditions.

The EPIC-10C4 Gen4 unit is controlled by Teledyne LeCroy's OakGate SVF software, which interfaces to OakGate appliances, as well as to several popular SSD production testers, such as the OakGate Epic Testers.

Teledyne LeCroy's OakGate SVF software offers a comprehensive list of features that enable users to:

- Generate traffic and inject errors
- Measure performance (IOPS, Bandwidth, Latency)
- Control power and temperature
- Execute customized test sequences, record logs
- Test devices at full-performance
- Exercise built-in protocol conformance test suite and analyzer

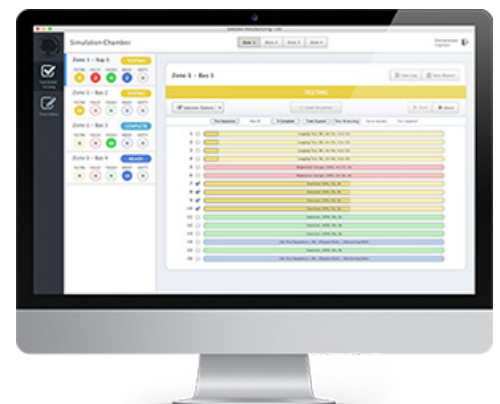
### Robust GUI

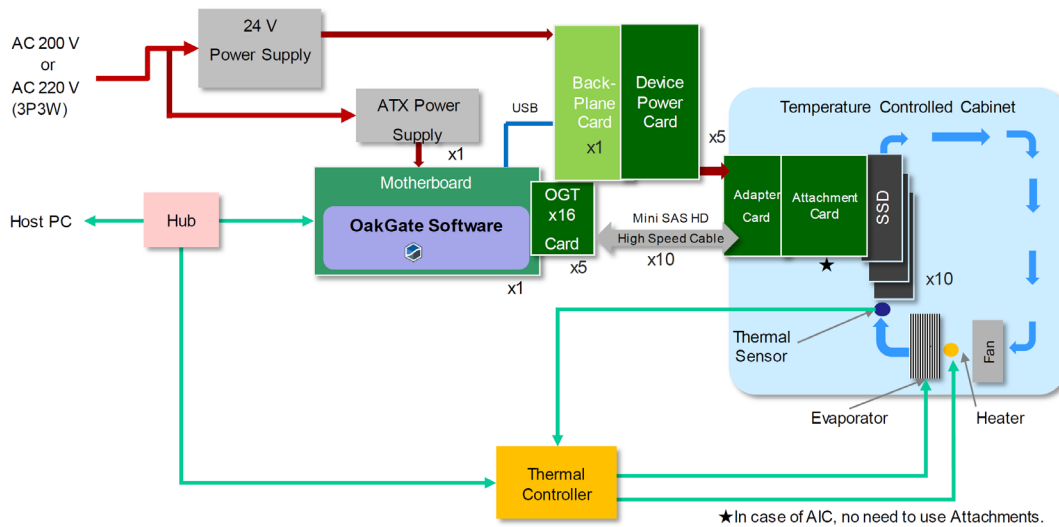
Greenlight is the advanced manufacturing test software that brings the power of the OakGate test platform to the world of manufacturing through an innovative, efficient, powerful, and easy-to-use test

application for storage devices under test (DUTs), such as solid state drives (SSDs). Greenlight runs on top of OakGate's Storage Validation Framework (SVF) engine, the most advanced storage testing software, allowing the DUTs to be fully evaluated and verified. The SVF interfaces to OakGate appliances, as well as to several popular SSD production testers, such as the OakGate Epic Testers.

Designed from the beginning to be simple to use, yet advanced in its capabilities – the user interface is ideal for the production floor, as well as for development and field failure analysis.

- User interface designed for ease of use
- Optimized views for operators and engineers
- Test-board-centric views, where the interface directly reflects the physical test board layout, helping operators maintain accuracy when populating, testing and removing good/failed boards from the system





## Specifications

Supported SSD Specifications	Form Factor: AIC / M.2 / U.2 / U.3 / EDSFF Long Type IF Spec: PCIe 4.0 x4 lane (1x4 or 2x2) Number of Slots: 10 Device Power Supply: 50W / slot (total 500W = 50W x 10 Slots)
Chamber Specifications	Set Temperature: -40 to +85°C (0 W ~ 30 W / Slot) Airflow (Blow speed): Approx. 700 to 1500 LFM (Adjustable) Door Lock: Locked less than 20°C / more than 45°C
SSD Power Supply	3.3V: 4.0A (Typ.) 5.0A (Peak/Max) 12V: 4.0A (Typ.) 5.0A (Peak/Max) Voltage Margin: ±20% Voltage Slope: 5ms or less : Setting adjustable for either 3.3V/12V Discharge Time: F00ms or less (SSD Capacity < 500uF)
Test Engine	Software: Supported by OakGate (SVF) Motherboard: MZ32-AR0 PCIe Slots: Gen4.0 x16 Lane x4 Socket, x8 lane x1 Socket
Other Functions	LED Indicator: Power status (Power, SSD insertion); Test status (Idle, Run, Pass, Fail ) Host PC IF: Ethernet (RJ45)
Option	U.2 Single Port (PCIe Gen4 x4 lane), U.2 Dual Port (PCIe Gen4 x 2x2 lane), U.3 (PCIe Gen4 x4 lane), M.2 (PCIe Gen4 x4 lane), EDSFF (PCIe Gen4 x4 lane): Attachment x10 Slots
Input Requirements	AC voltage(Hz) / Current: AC200V ±5% (50/60Hz), AC230V -7.5% / +1.5% (50/60Hz) / Max 20A (3 phase)
Mechanical	Dimensions: Approx. 800mm (W) x 800mm (D) x 1,700mm (H) (Final dimensions TBD) Weight: Approx. 300 kg

\* Environmental Temperature : 22-28°C

## Ordering Information

### Product Description

Epic 10-Slot Gen4 PCIe/NVMe SSD Tester -40 to +85°C

### Product Code

OGT-EPIC-10C4-G4



Local sales offices are located throughout the world.  
Visit our website to find the most convenient location.

1-800-5-LeCroy • [teledynelecroy.com](http://teledynelecroy.com)



**TELEDYNE LECROY**  
Everywhereyoulook™